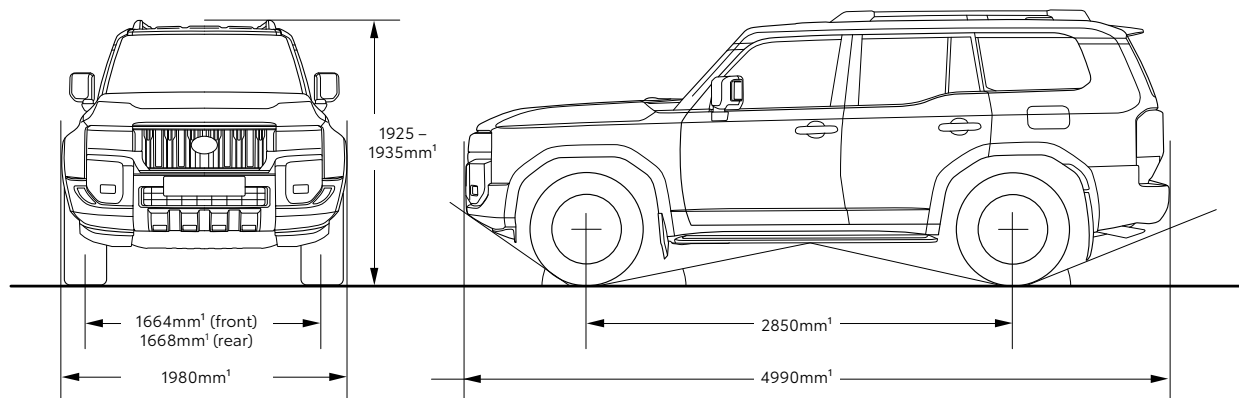


LandCruiser Prado



Please Note: information is accurate as at November 2024.

Specification and imagery are indicative and should only be used as a guide. Vehicle and accessory specification, features, colour and trim may differ at the time of vehicle delivery.



MECHANICAL SPECIFICATIONS		LandCruiser Prado	
ENGINE	Engine description	2.8L turbo diesel (1GD-FTV)	
	Engine System	48V System (V-Active)	
	Displacement (cm ³)	2755	
	Max power (kW@rpm) / Max torque (Nm@rpm)	150@3000-3400 / 500@1600-2800	
	Valve train	16-valve DOHC, Chain Drive	
	Fuel system	Common-rail	
	Bore x stroke (mm)	92.0 x 103.6	
	Compression ratio	15.6:1	
TRANSMISSION	Transmission	8-speed automatic with manual mode	
	Gear ratios – automatic transmission (:1)	1st 4.413 / 2nd 2.808 / 3rd 1.95 / 4th 1.511 / 5th 1.274 / 6th 1.000 / 7th 0.793 / 8th 0.651 / Reverse 3.645	
	Differential gear ratio	3.583:1	
	Driveline	4WD	
FUEL	Fuel type	Diesel	
	Fuel economy ² (L/100km)	Combined ³	7.6
		Urban ³	8.8
		Extra ³	7
	Fuel capacity – dual fuel tank (L)	110	
AdBlue ² tank capacity (L)	17.4		
STEERING	Steering operation	Electric Power Steering	
	Turning circle – kerb to kerb (m)	12.0	
BRAKES	Front	Ventilated disc with 4 piston fixed calipers	
	Rear	Ventilated disc with single piston floating calipers	
SUSPENSION	Front	Double-wishbone type	
	Rear	4-link rigid (With lateral control arm)	
	System	Adaptive Variable Suspension (VX and Kakadu only)	

LANDCRUISER PRADO GRADE		GX	GXL	VX	Altitude	Kakadu
DIMENSIONS (APPROXIMATE)	Length ¹ (mm)	4990	4990	4990	4990	4990
	Width ¹ (mm)	1980	1980	1980	1980	1980
	Height ¹ (mm)	1925	1925	1935	1935	1935
WEIGHTS (APPROXIMATE)	Kerb weight ¹ (kg)	2495	2535	2570	2520	2595
	Gross Vehicle Mass ¹ (GVM) (kg)	3100	3150	3180	3100	3200
CAPACITIES	Seating capacity	5	7	7	5	7
	Towing capacity ⁴ – with trailer brakes (kg)	3500	3500	3500	3500	3500
	Towing capacity ⁴ – without trailer brakes (kg)	750	750	750	750	750
WHEELS	18" alloy wheels	•	•			
	20" premium alloy wheels			•		•
	18" alloy wheels with Toyo Open Country All-Terrain tyres				•	
	Full size spare wheel	•	•	•	•	•
EXTERIOR	LED headlamps with Static Auto Leveling	•	•			
	Bi-LED headlamps with Dynamic Auto Leveling			•	•	•
	LED Daytime Running Lamps	•	•	•	•	•
	LED fog lamps	•	•	•	•	•
	Heated and electrically retractable side mirrors	•	•	•	•	•
	Rear privacy glass		•	•	•	•
	Roof rails		•	•	•	•
	Side steps	•	•	•	•	•
	Illuminated side steps					•
	Front and rear mudguards	•	•	•	•	•
	Rain sensing wipers	•	•	•	•	•
	Tilt and slide moonroof				•	
	Panoramic moonroof					•
INTERIOR	60:40 split fold 2nd row seats	•	•	•	•	•
	50:50 split fold 3rd row seats		•	•		•
	Urethane steering wheel with audio, Toyota Safety Sense, telephone and Multi Information Display controls	•				
	Premium steering wheel with audio, Toyota Safety Sense, telephone and Multi Information Display controls		•	•	•	•
	Heated steering wheel				•	•
	Heated and ventilated 1st row seats		•	•	•	•
	Heated and ventilated 2nd row seats					•
	Leather accented seats with power adjustable driver seat			•	•	•
	Driver's seat memory – 2 positions			•	•	•
	Floor mats – front and rear	All-weather rubber mats	All-weather rubber mats	Carpet mats	Carpet mats	Carpet mats
	Auto-dimming rear view mirror		•	•	•	•
	Digital rear view mirror				•	•
INSTRUMENTS AND CONTROLS	Smart entry and start system	•	•	•	•	•
	Auto 2-zone air conditioning	•	•	•	•	•
	7" Multi Information Display	•	•			
	12.3" Multi Information Display			•	•	•
	Multi Terrain Select			•	•	•
	3 mode drive select	•	•		•	
	5 mode drive select			•		•

LANDCRUISER PRADO GRADE		GX	GXL	VX	Altitude	Kakadu
SAFETY	Toyota Safety Sense – including Pre-Collision Safety system, All-Speed Adaptive Cruiser Control, Proactive Driving Assist, Driver Monitor Camera, Lane Trace Assist, Emergency Driving Stop System, Road Sign Assist and Safety Exit Assist	•	•	•	•	•
	Vehicle Stability Control	•	•	•	•	•
	Trailer Sway Control	•	•	•	•	•
	9 SRS airbags	•	•	•	•	•
	Reversing camera with guidelines	•	•	•	•	•
	Front and rear parking sensors	•	•	•	•	•
	Blind Spot Monitor	•	•	•	•	•
	Rear Cross Traffic Alert	•	•	•	•	•
	Tyre Inflation Pressure Warning			•		•
	Multi Terrain Monitor			•	•	•
OFF-ROAD CAPABILITIES	Active Traction Control	•	•	•	•	•
	Downhill Assist Control	•	•	•	•	•
	Central differential	•	•	•	•	•
	Crawl Control	•	•	•	•	•
	Adaptive Variable Suspension system			•		•
SECURITY	Theft deterrent system – alarm	•	•	•	•	•
STORAGE	Rear console box	•	•			
	Refrigerated rear console box			•	•	•
	12 cup holders – 4x front and 8x rear	•	•	•	•	•
MULTIMEDIA	12.3" colour touchscreen with wireless Apple CarPlay ^{4,5} and wireless Android Auto ⁶	•	•	•	•	•
	1 year complimentary access to Toyota Connected Services ⁷ including Safety and Security features, Multimedia Connect, Driving Insights and Remote Connect – accessible via myToyota Connect app	•	•	•	•	•
	Inbuilt Navigation	•	•	•	•	•
	AM/FM and Digital Radio	•	•	•	•	•
	USB-C charging ports	4	6	6	6	6
	HDMI port	1	1	1	1	1
	Bluetooth ⁸ connectivity	•	•	•	•	•
	14-speaker JBL ^{4,2} premium audio system			•	•	•

1 Weights/mass/volumes/dimensions are approximate and subject to individual vehicle variances, and should be confirmed before fitting any accessories, towing or otherwise relying on this value.

2 Product and company names are trademarks of their respective owners.

3 Results achieved in ADR81/02 fuel consumption testing. Results produced in laboratory test conditions, using sample vehicles without fitment of accessories/customisation, and do not reflect real world driving. Figures should only be used for comparative purposes.

4 Towing capacity subject to regulatory requirements, tow bar and vehicle design and towing equipment limitations. Ask your Dealer for Toyota Genuine tow bar capacity and availability details.

5 CarPlay[®] is a trademark of Apple, Inc. registered in the U.S. and other countries.

6 Android Auto[™] is a trademark of Google LLC.

7 Connected Services complimentary period ends 1 year from delivery date. Fees may apply thereafter. See toyota.com.au/connected/plans-packages. Not available outside Australia, if services disabled or terminated, or after 2033/Telstra 4G sunset (whichever comes first). Dependent on 3G/4G enabled DCM, GPS signal strength, mobile network coverage and other factors outside Toyota's control which can limit ability or functionality of system. Requires compatible device and app installation, third party info and mobile data. Mobile usage at user's cost. Check toyota.com.au/connected or your Owner's Manual for explanation of limitations. Features subject to change. Please drive safely.

8 Bluetooth[®] is a registered trademark of Bluetooth SIG, Inc. Compatibility and functionality varies depending on device.